



STEP_{CG}

Mobile Network Kits

Experience efficiency with high performance connectivity for remote working or adverse conditions.

STEP CG's Mobile Network Kits are ideal for emergency communications, wireless internet access, failover to Wireless or internet backup.

- A mobile network in a box deployment ideal for emergency communications, wireless internet backup and failover applications. Available in three sizes: ES-1, ES-2, or ES-3.
- Enable your mobile workforce with a reliable, secure, high performance, on-the-go connectivity.
- Ruggedized, compact cases with built-in integrated antennas to accommodate environmentally harsh environments while delivering enterprise-class standards of reliability, scalability, comprehensive management, and security.
- A private WiFi network with high speed data transmission and LTE capabilities in locations typically not covered with cellular connectivity.
- Maximize availability and uptime with Cradlepoint Net-Cloud Services to route traffic based on bandwidth usage, application content, or cellular data usage.
- Built-in power supply for extended hours of connectivity without charge.

513.795.6000

www.stepcg.com

info@stepcg.com

50 East RiverCenter Boulevard
Technology Towers Office Building 1, Suite 900
Covington, Kentucky 41011

FEATURES & BENEFITS

- A mobile network for adverse conditions or remote connectivity.
- Secure and reliable providing a high performance network.
- Versatile with 3 different options providing efficiency for your network.

LTE Bands (US Carriers)

- ✓ AT&T 2, 4, 5, 14, 17, 29, 30, 48, 66
- ✓ Verizon 2, 4, 5, 13, 48, 66
- ✓ T-Mobile 2, 4, 12, 48, 66, 71
- ✓ Sprint 2, 25, 26, 41, 48

LTE Frequency Range

- ✓ 617 – 894 MHz
- ✓ 1710 – 2700 MHz
- ✓ 3400 – 3800 MHz (CBRS)
- ✓ 5150 – 5925 MHz (LTE LAA)

Wi-Fi Frequency Range

- ✓ 2400 – 2483.5 MHz
- ✓ 4900 – 5900 MHz

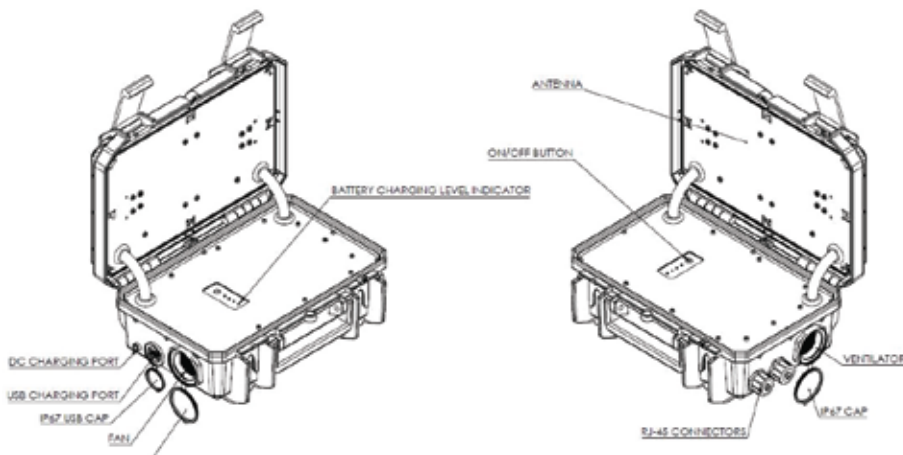
Environmental

- ✓ Operating Temperature -40oC to 85oC
- ✓ Ingress Protection IP67

MODELS

ES-1

Integrated 5 in 1 antenna built into the case lid. Available with MIMO LTE, MIMO WiFi, and GPS embedded into a convenient carrying case.



Dimensions:
10.58”L x 8.45”W x 3.95”H

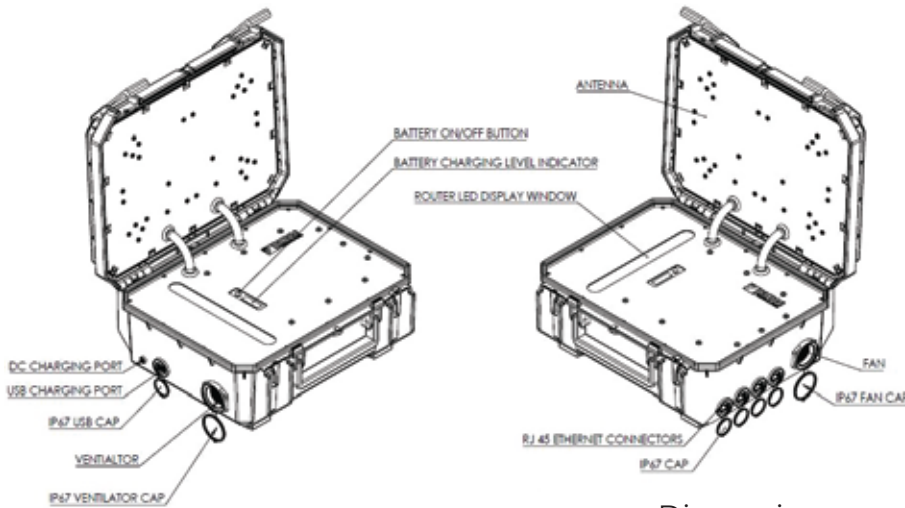


Ideal for:

- Emergency Communications
- FirstNet/First Responders
- Transportation/Fleet
- Remote Locations

ES-2

Configurable up to 9 in 1 with potential for 4X4 MIMO LTE, 4X4 MIMO WiFi and GPS/GNSS. This 5G, portable, IP67-rated case antenna is designed for high performance during adverse conditions and is portable in case of emergency.



Dimensions:
15"L x 12.4"W x 7"H

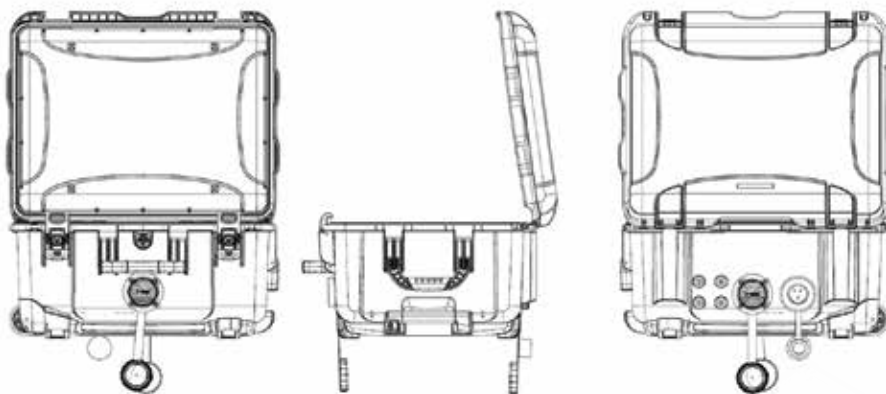


Ideal for:

- Emergency Communications
- Wireless Internet Access (Primary & Failover)
- High Speed/High Quality Video Transmission

ES-3

Configurable up to a 13 in 1 antenna with up to 8X8 MIMO LTE for operation of simultaneous dual SIM's, up to 4X4 MIMO WIFI and GPS.



Dimensions:
22.8"L x 15.3"W x 11.7"H



Ideal for:

- Emergency Communications
- Wireless Internet Access for Businesses
- Failover to Wireless
- Internet Backup

HARDWARE & REQUIREMENTS

Cradlepoint Router Options:

				
	IBR900	IBR1700	AER2200	E300 & E3000
MODEL ES-1	<input checked="" type="checkbox"/>	<input type="checkbox"/>	<input type="checkbox"/>	<input type="checkbox"/>
MODEL ES-2	<input checked="" type="checkbox"/>	<input checked="" type="checkbox"/>	<input type="checkbox"/>	<input type="checkbox"/>
MODEL ES-3	<input checked="" type="checkbox"/>	<input checked="" type="checkbox"/>	<input checked="" type="checkbox"/>	<input checked="" type="checkbox"/>

Battery Options:

MODEL ES-1	ChargeTech 27k - SNX2CR-CT-600024
MODEL ES-2	ChargeTech 54K - SNX2CR-XT-600011
MODEL ES-3	ChargeTech 54K - SNX2CR-XT-600011 Additional Options Available



Add-On Options:

Each model can be customized to include features suitable for your ideal environment.

Available options include, but are not limited to:

- OneTalk
- Verkada
- A.P.'s
- Switches
- Drone kits

SERVICES & SUPPORT

- STEP CG Customer Care Center is available at your convenience:
Monday - Friday
8:00am - 5:00pm EST/EDT.
- 24x7 automatic monitoring and alerting with NetCloud Manager.
- Cradlepoint standard warranty